



HEMAN 175C

PERFORMANCE

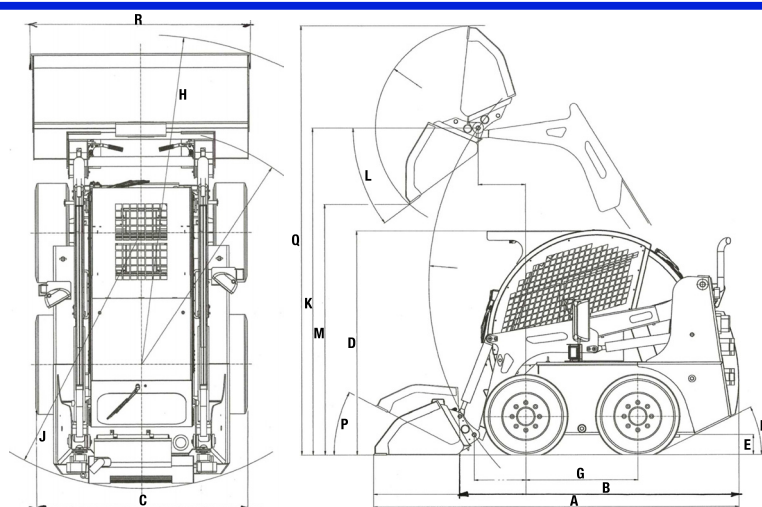
Rated operating capacity	750 kgs	Standard bucket capacity	0,46 cu m
Tipping load	1500 kgs	Max dump height	2830 mm
SAE Operating weight	3070 kgs	Travel speed	0 – 10 km/h

ENGINE

Cummins B 3.3C NA, 4 cylinder in line
Liquid cooled
Gross power @2200 rpm - 60 hp

HYDRAULICS

Hydromotors EATON (USA)	Flow	70 l/min
Pump REXROTH	Working pressure	175 bar



DIMENSIONS

A – Length with bucket	3345 mm
B – Length without bucket	2570 mm
C – Width over tyres	1650 mm
D – Overall height	2080 mm
E – Ground clearance	190 mm
F – Departure angle rear	26°
G – Wheelbase	1023 mm
H – Turning radius bucket corner	2565 mm
J – Turning radius rear corner	1990 mm
K – Pin height	3000 mm
L – Dump angle	37°
M – Dump height	2300 mm
P – Roll back at ground	28°
Q – Max reach at full height	3935 mm
R – Bucket width (standard)	1708 mm

BUSINESS PARTNER:



Registered Office:
Vectra Engineering a.s.
Hukvaldy 86
739 46 Hukvaldy
Czech Republic

Plant Adress:.
Vectra Engineering a.s.
9. května 1162
742 58 Příbor
Czech Republic

info@vectraczech.com