

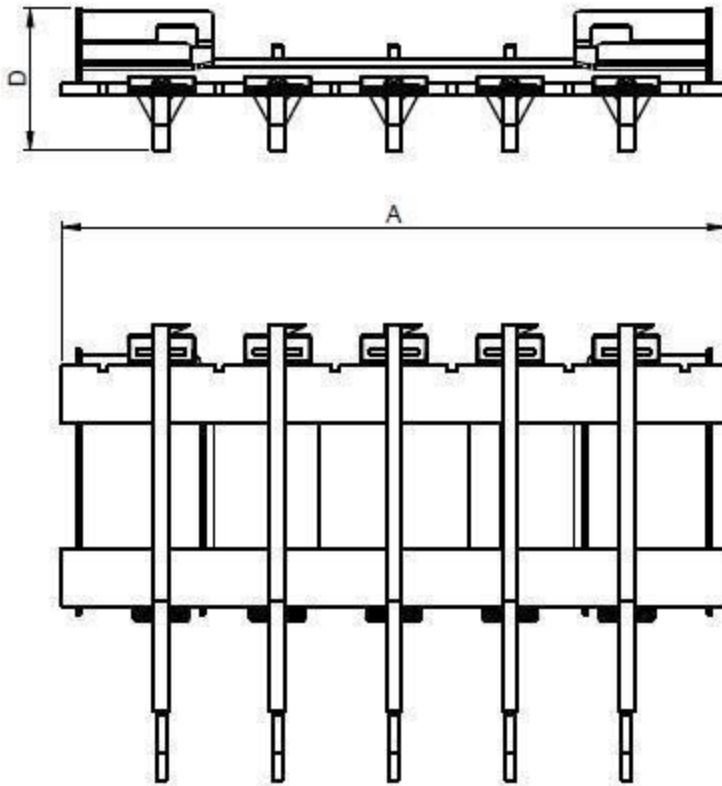
RIPPER TOOTH



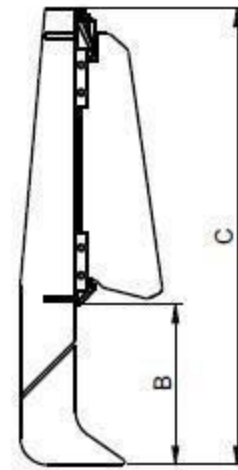
Applications

- Enables the operator to break up frozen or compacted earth surfaces and concrete or tarmac.

Specifications



DESCRIPTION	DATA
A	1200 MM
B	310 MM
C	850 MM
D	256.4 MM
Approx Weight	160 KG



ATTACHMENTS FOR SKID STEER LOADERS



NOTE:- All dimensions are variable with in $\pm 1.5\%$. VAEPL reserves the right to change specifications without prior notice.