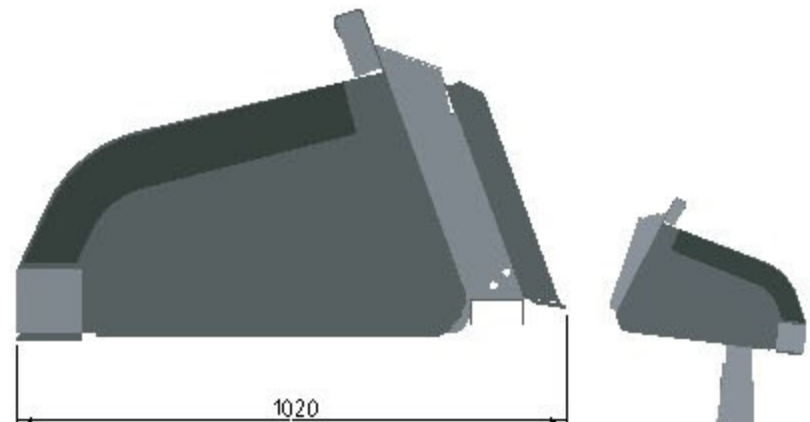
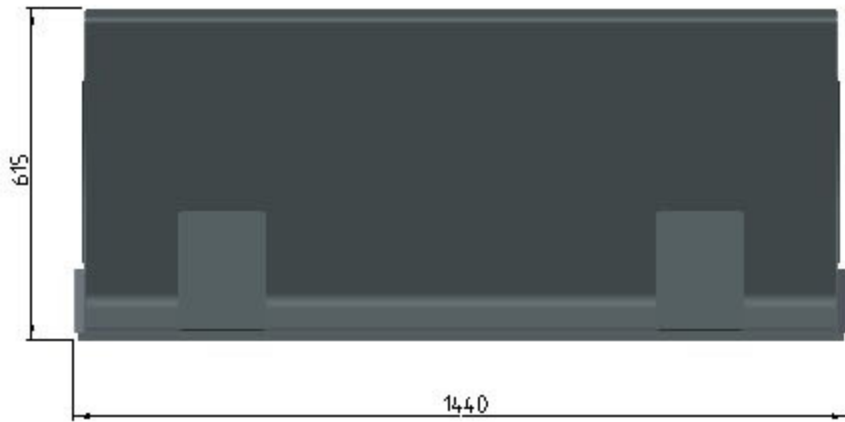


# HIGH DUMP BUCKET



## Applications

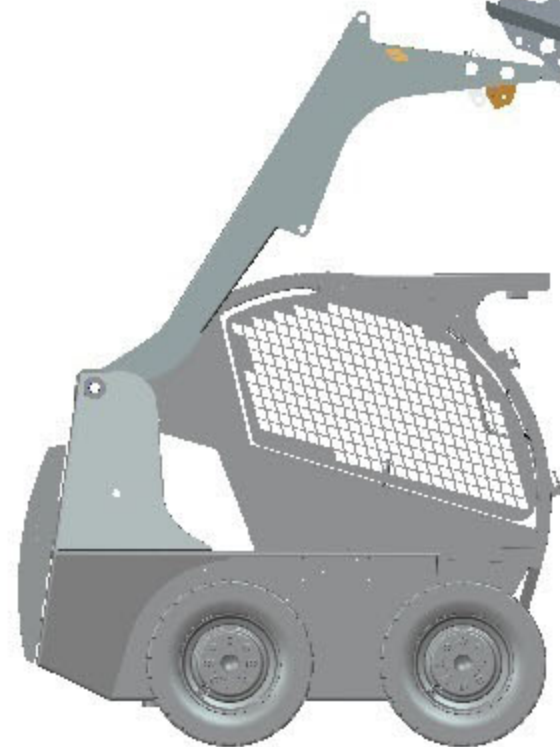
High Tip Bucket increases your dump height by 1.3 meters. This is an extra height over standard bucket. because of the dump Pivot point is close to edge of the bucket you can fill wagons and trucks to their maximum levels without any hassle. This also gives you more control of where the material to be dumped.



## Specifications:-

Capacity :- 0.4 cum

Dump Height :- 3800 mm



## ATTACHMENTS FOR SKID STEER LOADERS



NOTE:- All dimensions are variable with in  $\pm 1.5\%$ . VAEPL reserves the right to change specifications without prior notice.