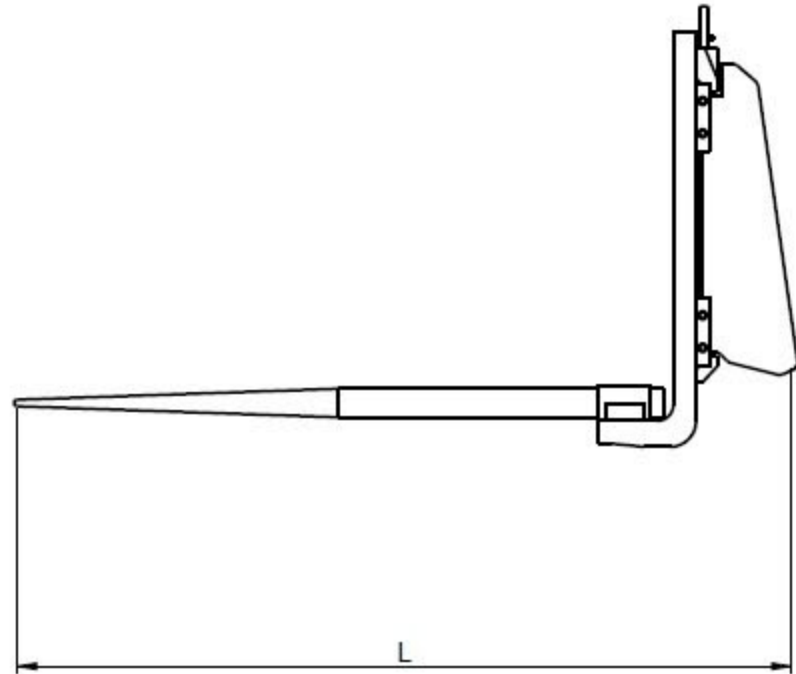
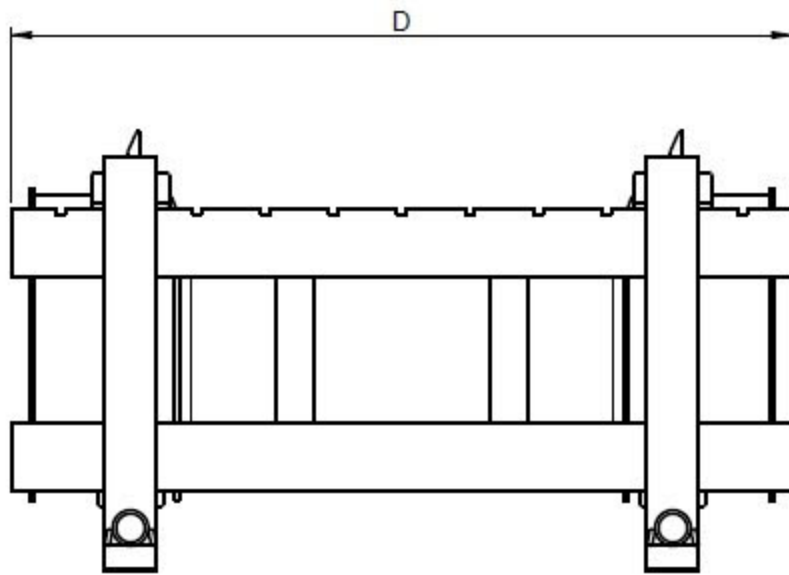




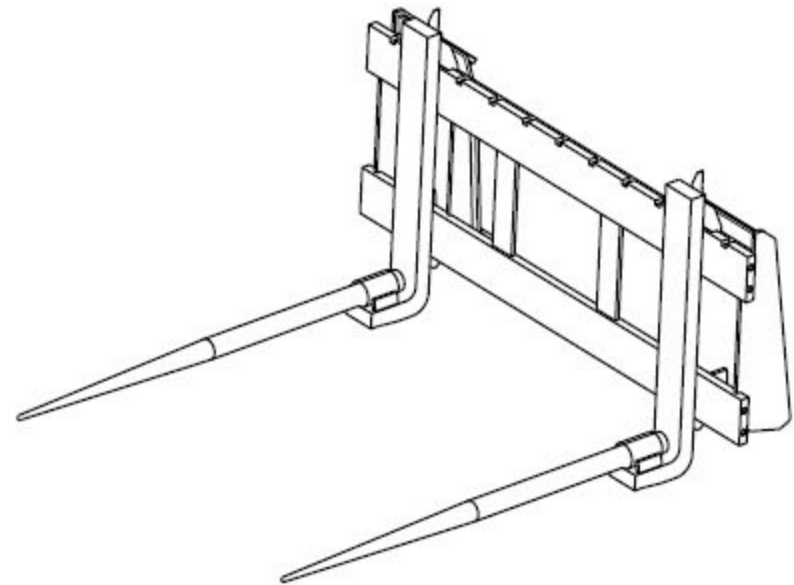
Applications

- Move and load round, uneven or square bales
- Two small-diameter forks penetrate the material
- Mounts to standard or heavy-duty pallet fork attachment frame

Specifications



SPECIFICATIONS		
Model		VBF 10
Fork (ø)	mm	42
Width (D)	mm	1200
Capacity	Kg	750
Length (L)	mm	1200



ATTACHMENTS FOR SKID STEER LOADERS

